

ENGINE COOLING FAN

1992 Subaru SVX

1992-93 ENGINE COOLING
Subaru Specifications & Electric Cooling Fans
Impreza, Justy, Legacy, Loyale, SVX

SPECIFICATIONS

NOTE: For belt alignment, see Figs. 1-3.

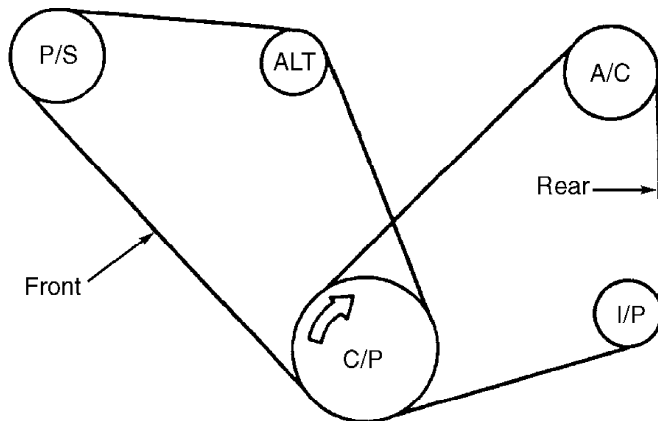
BELT ADJUSTMENT SPECIFICATIONS

BELT ADJUSTMENT TABLE

Application	Deflection - In. (mm)
Impreza	(1)
Justy	
Alternator	
With A/C45-.49 (11.5-12.5)
Without A/C35-.39 (9.0-10.0)
Legacy	
A/C35-.39 (9.0-10.0)
Alternator & P/S35-.43 (9.0-11.0)
Loyale	
Alternator	
With A/C	0.43-0.47 (11.0-12.0)
With A/C & P/S	0.30-0.34 (7.5-8.5)
With P/S	0.39-0.43 (9.0-11.0)
Without A/C & P/S	0.51-0.59 (13.0-15.0)
SVX	
A/C	0.28-0.32 (7.0-8.0)
Alternator & P/S	0.20-0.42 (5.0-6.0)

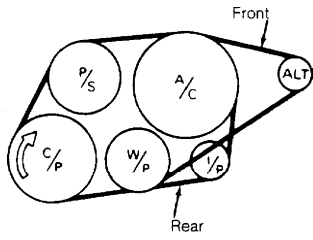
(1) - Belt tension is controlled by an automatic tensioner.

BELT ROUTING



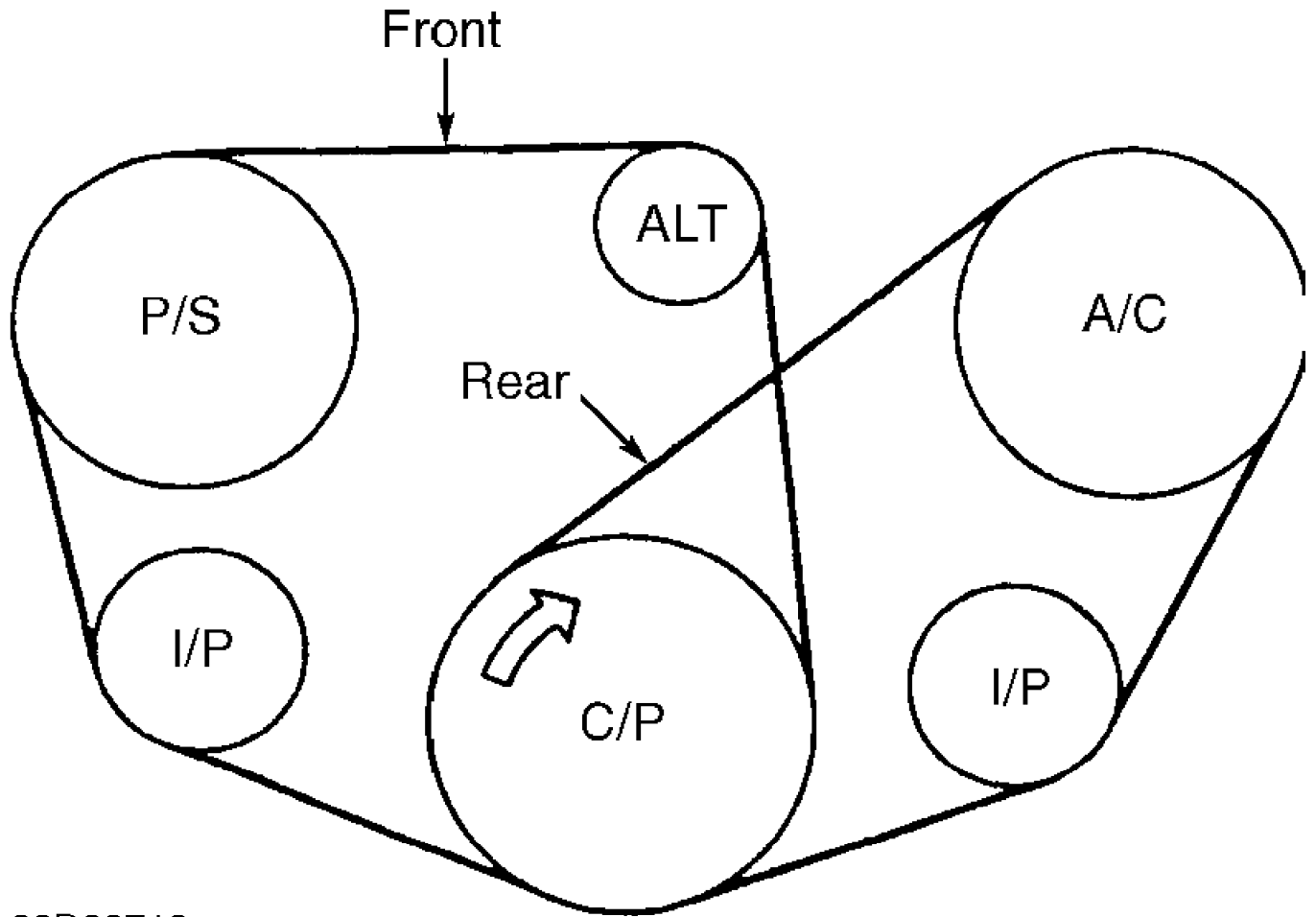
93J83708

Fig. 1: Routing Drive Belts (Impreza & Legacy)
Courtesy of Subaru of America.



93A83709

Fig. 2: Routing Drive Belts (Loyale)
 Courtesy of Subaru of America.



93D83710

Fig. 3: Routing Drive Belts (SVX)
 Courtesy of Subaru of America.

COOLING SYSTEM SPECIFICATIONS

NOTE: Coolant replacement interval is 30,000 Miles Or 30 Months
 Coolant Capacity (Includes Heater & Reserve Tank)

COOLING SYSTEM SPECIFICATIONS TABLE

Model	Coolant Capacity (W/ Heater & Reserve Tank)
Justy	5.2 Qts. (4.9L)

Impreza	6.2 Qts. (5.9L)
Legacy	
Non-Turbo	6.2 Qts. (5.9L)
Turbo	7.4 Qts. (7.0L)
Loyale	5.8 Qts. (5.5L)
SVX	7.9 Qts. (7.5L)

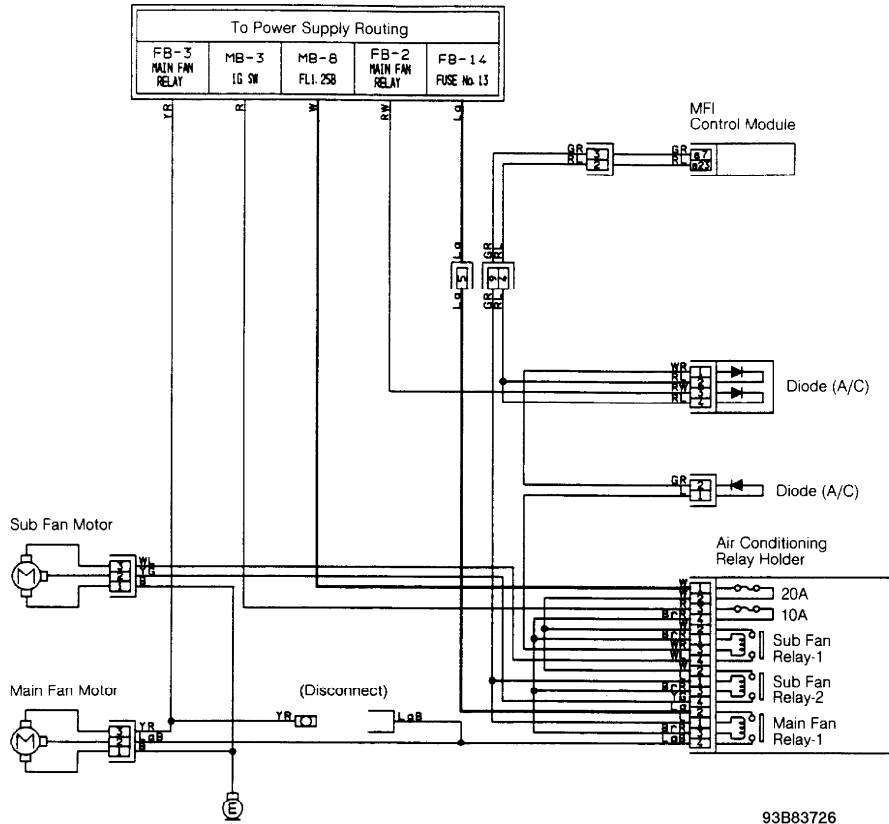
Application Specification

Coolant Replacement Interval ...	30,000 Miles Or 30 Months
Pressure Cap	11-14 psi
Thermostat Opens	
All Except Loyale	
Starts	169-176 °F (84-87 °C)
Fully Open	196 °F (91 °C)
Loyale	
Starts	188-193 °F (87-90 °C)
Fully Open	212 °F (100 °C)

TROUBLE SHOOTING & TESTING

Manufacturer does not provide information on trouble shooting or testing.

WIRING DIAGRAMS



93B83726

Fig. 4: Radiator Cooling Fan System Wiring Diagram (Impreza)
 Courtesy of Subaru of America.

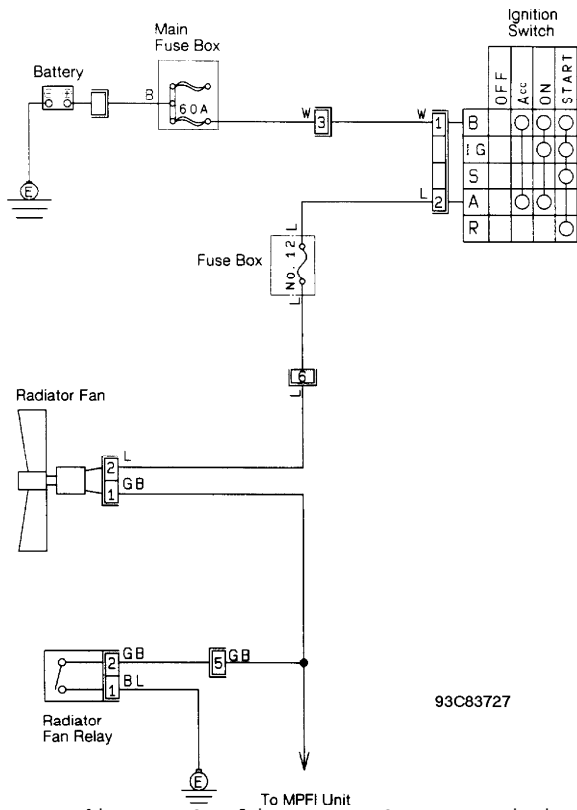


Fig. 5: Radiator Cooling Fan System Wiring Diagram (Justy)
 Courtesy of Subaru America.

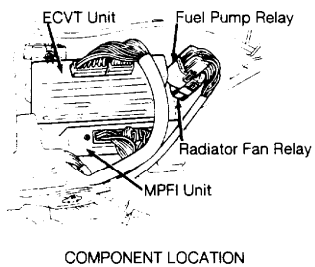


Fig. 6: Radiator Cooling Fan System Component Location (Justy)
 Courtesy of Subaru of America.

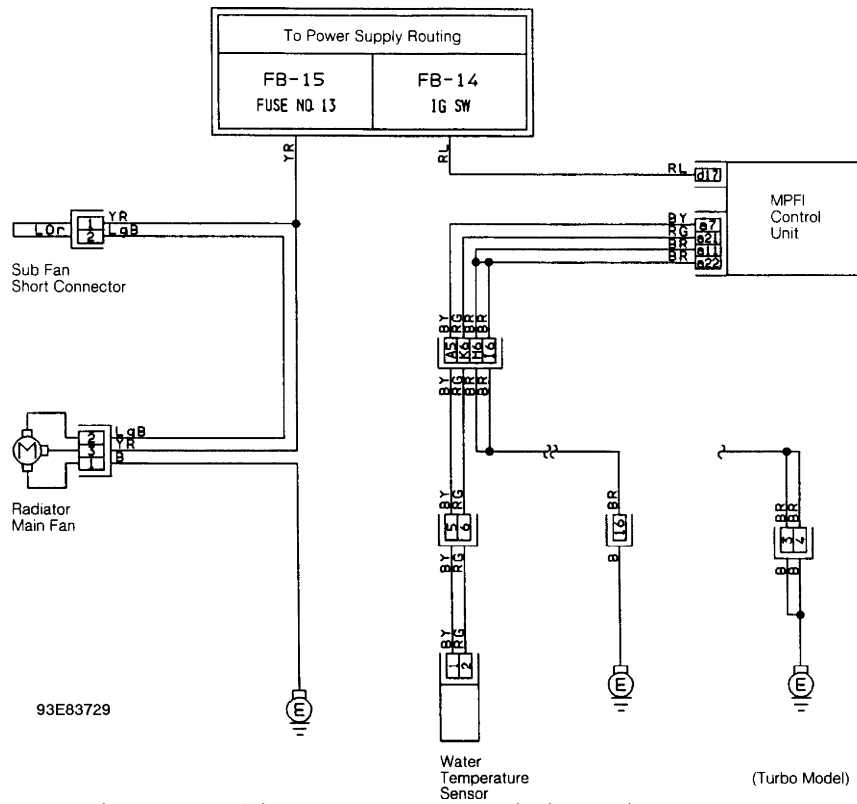
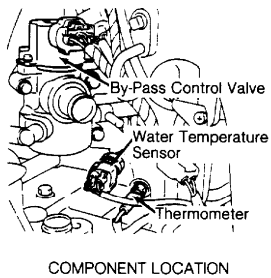


Fig. 7: Radiator Cooling Fan System Wiring Diagram (Legacy)
Courtesy of Subaru of America.



93H83730
Fig. 8: Radiator Cooling Fan System Component Location (Legacy)
Courtesy of Subaru of America.

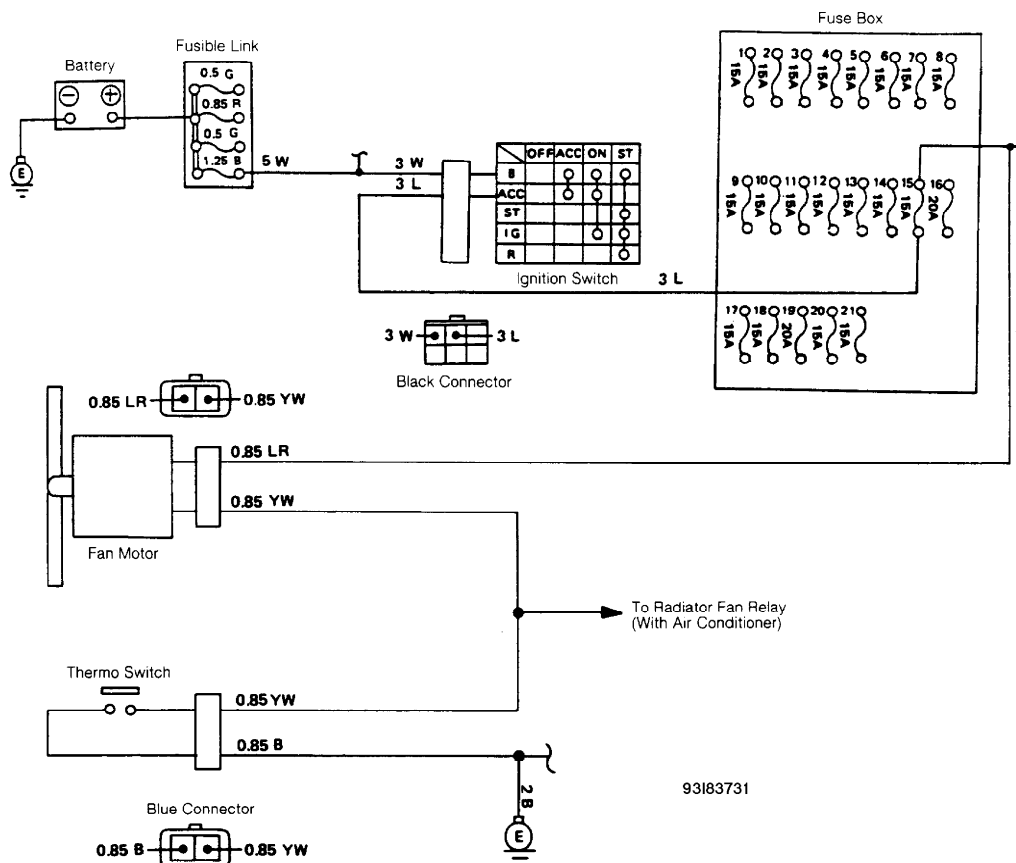
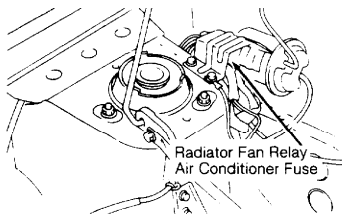


Fig. 9: Radiator Cooling Fan System Wiring Diagram (Loyale)
 Courtesy of Subaru of America.



Note: Thermo Switch Is Located On Left Side Of Radiator.

COMPONENT LOCATION

93B83734

Fig. 10: Radiator Cooling Fan System Component Location (Loyale)
 Courtesy of Subaru of America.

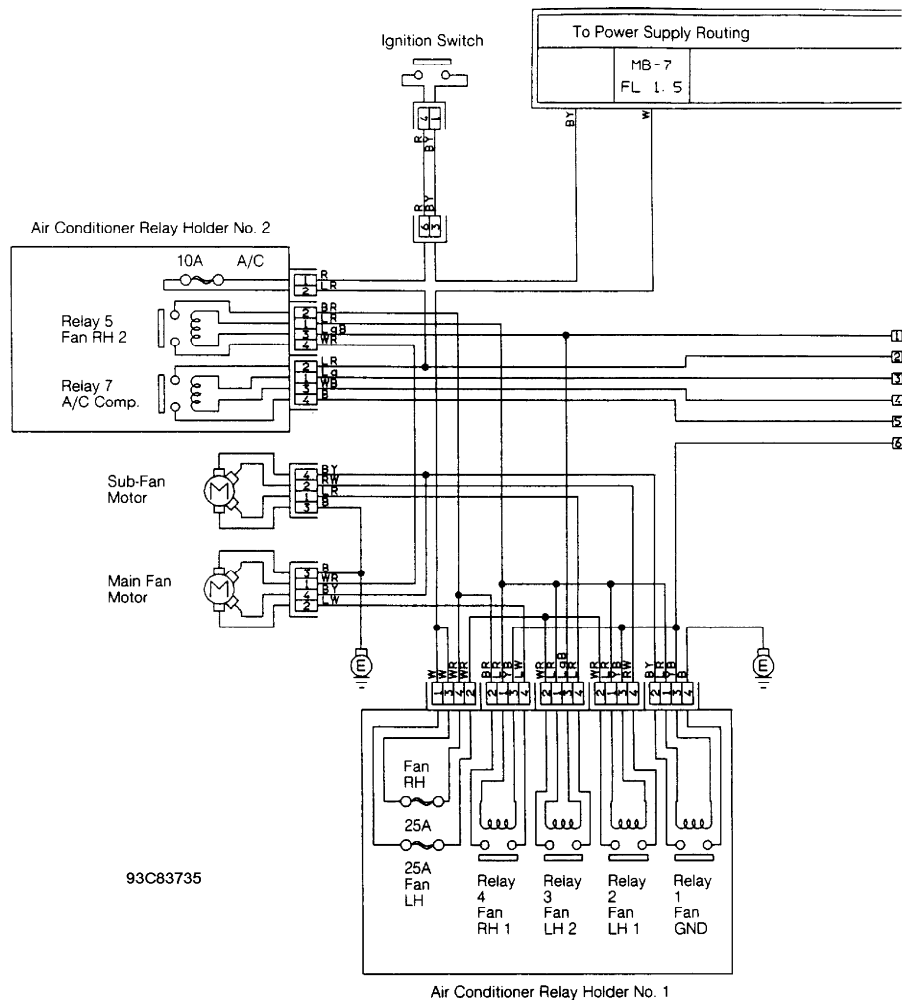


Fig. 11: Radiator Cooling Fan System Wiring Diagram (SVX - 1 Of 2)
 Courtesy of Subaru of America, Inc.

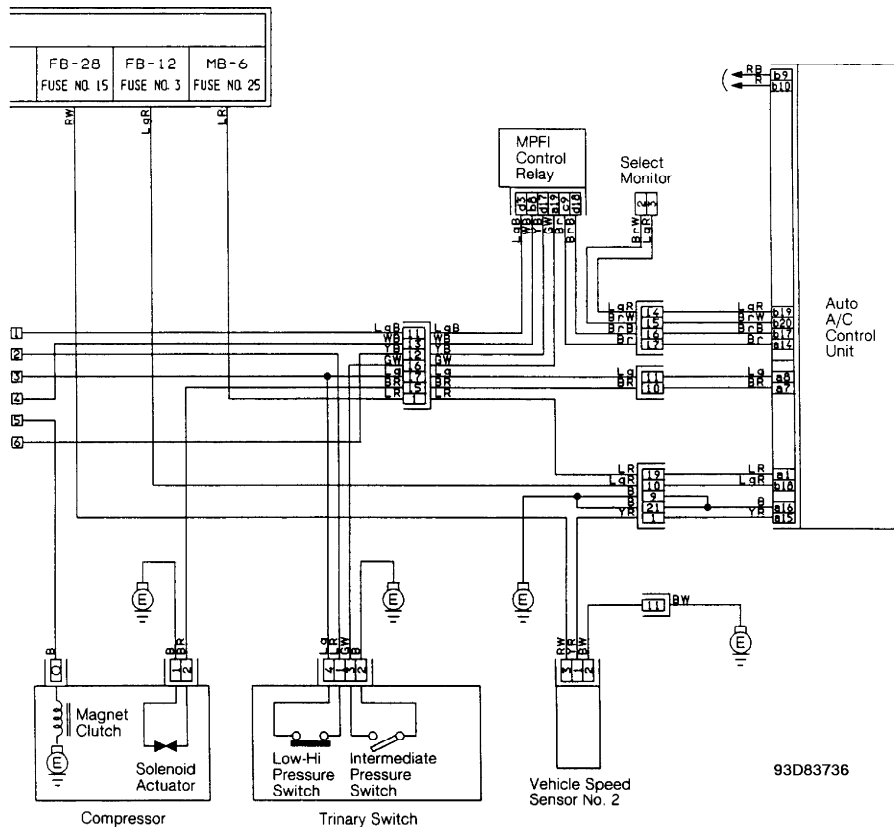


Fig. 12: Radiator Cooling Fan System Wiring Diagram (SVX - 2 Of 2)
 Courtesy of Subaru of America, Inc.

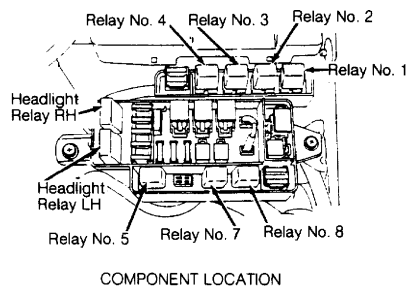


Fig. 13: Radiator Cooling Fan System Component Location (SVX)
 Courtesy of Subaru of America, Inc.